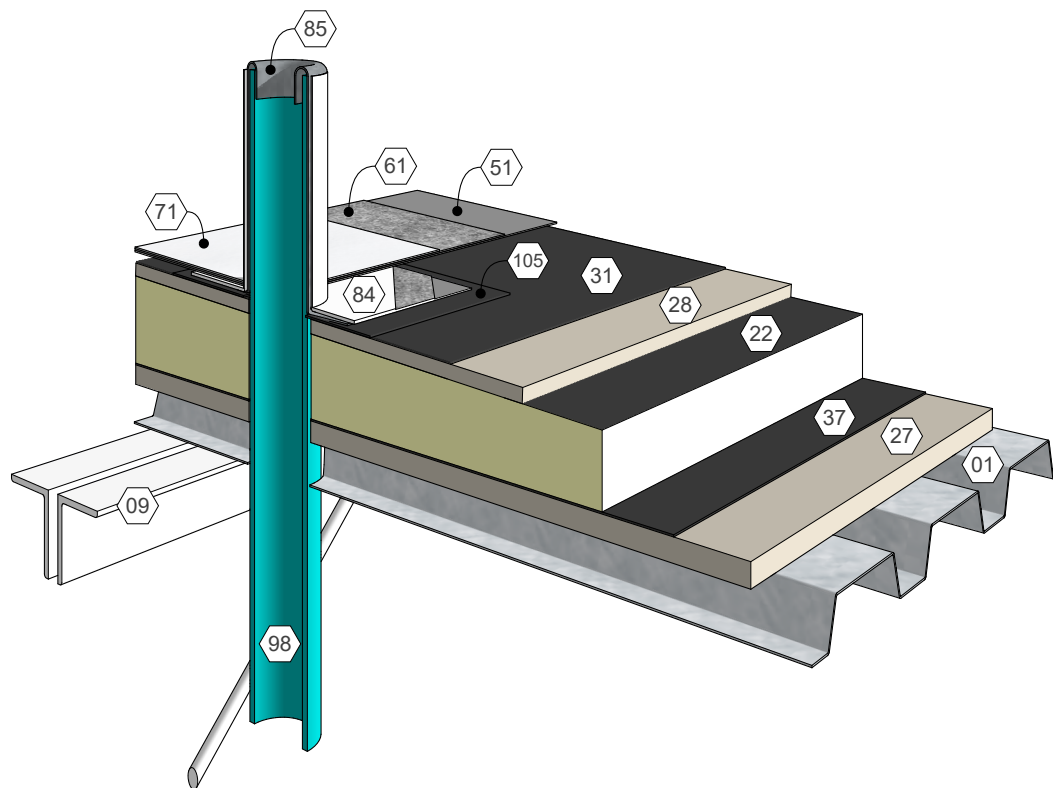
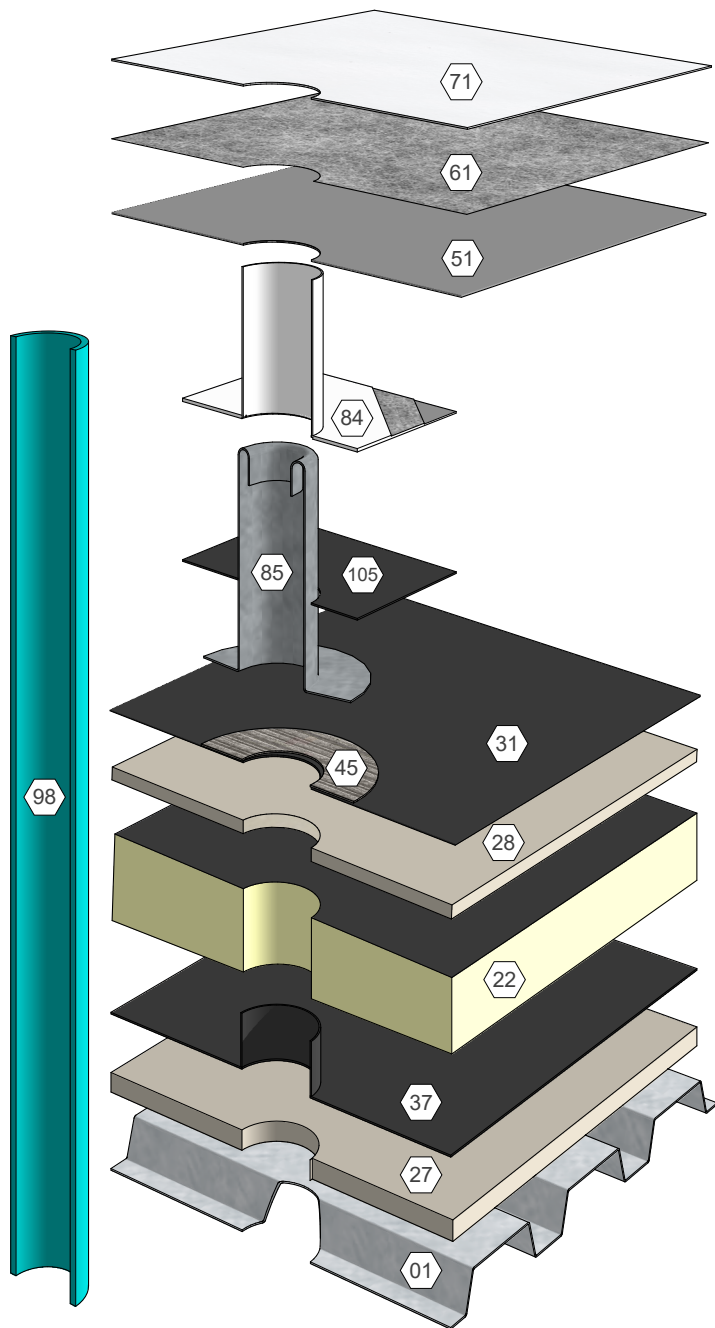


### KEY NOTES

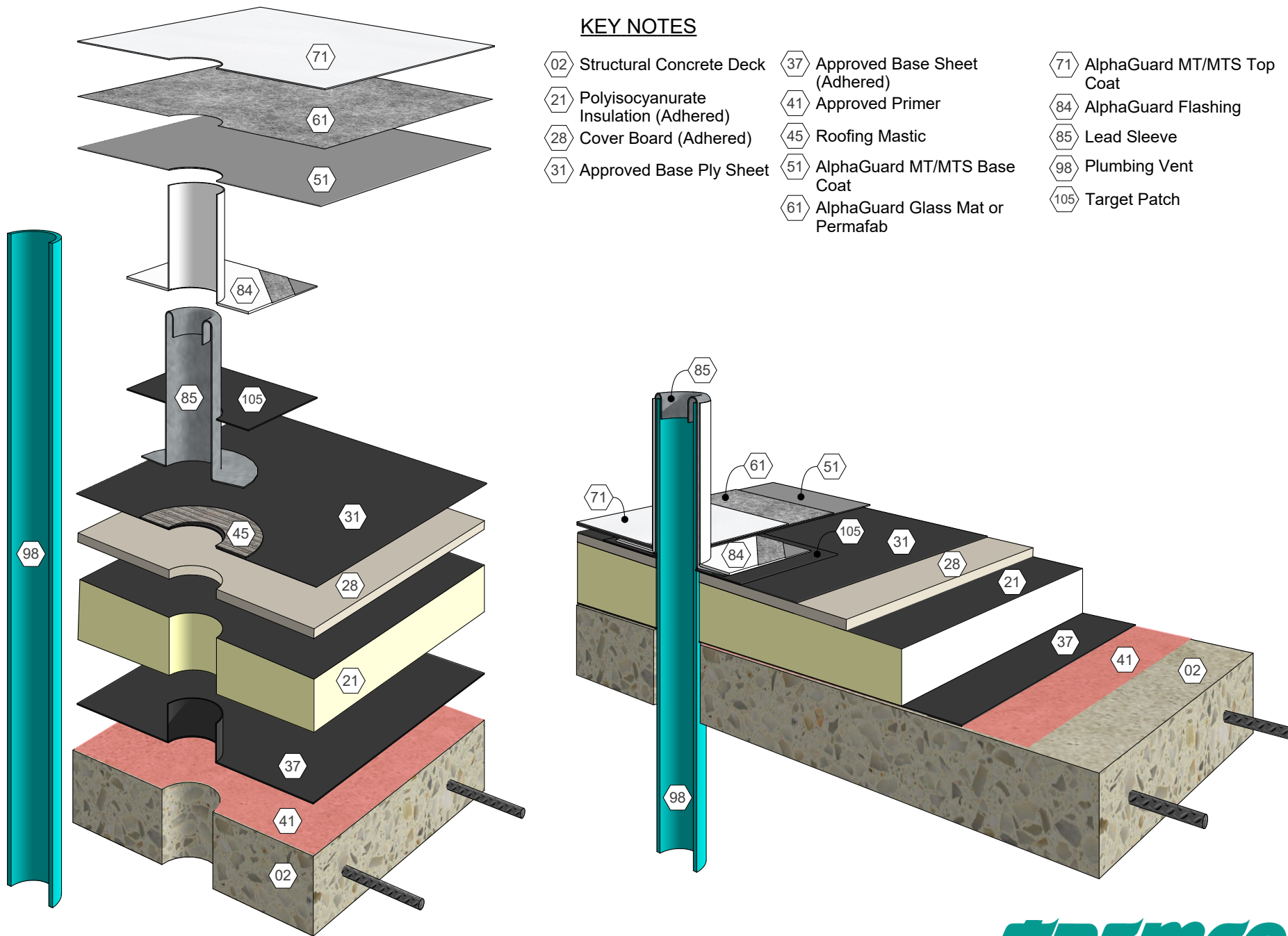
- |   |                                      |                                |
|---|--------------------------------------|--------------------------------|
| 01) Metal Deck  | 31) Approved Base Ply Sheet          | 71) AlphaGuard MT/MTS Top Coat |
| 09) Roof Structure                                    | 37) Approved Base Sheet (Adhered)    | 84) AlphaGuard Flashing        |
| 22) Polyisocyanurate Insulation (Fastened or Adhered) | 45) Roofing Mastic                   | 85) Lead Sleeve                |
| 27) Substrate Board (Fastened)                        | 51) AlphaGuard MT/MTS Base Coat      | 98) Plumbing Vent              |
| 28) Cover Board (Adhered)                             | 61) AlphaGuard Glass Mat or Permafab | 105) Target Patch              |



AlphaGuard® MT/MTS Plus Plumbing Vent, Temp. Roof, Metal Deck  
Detail 32181

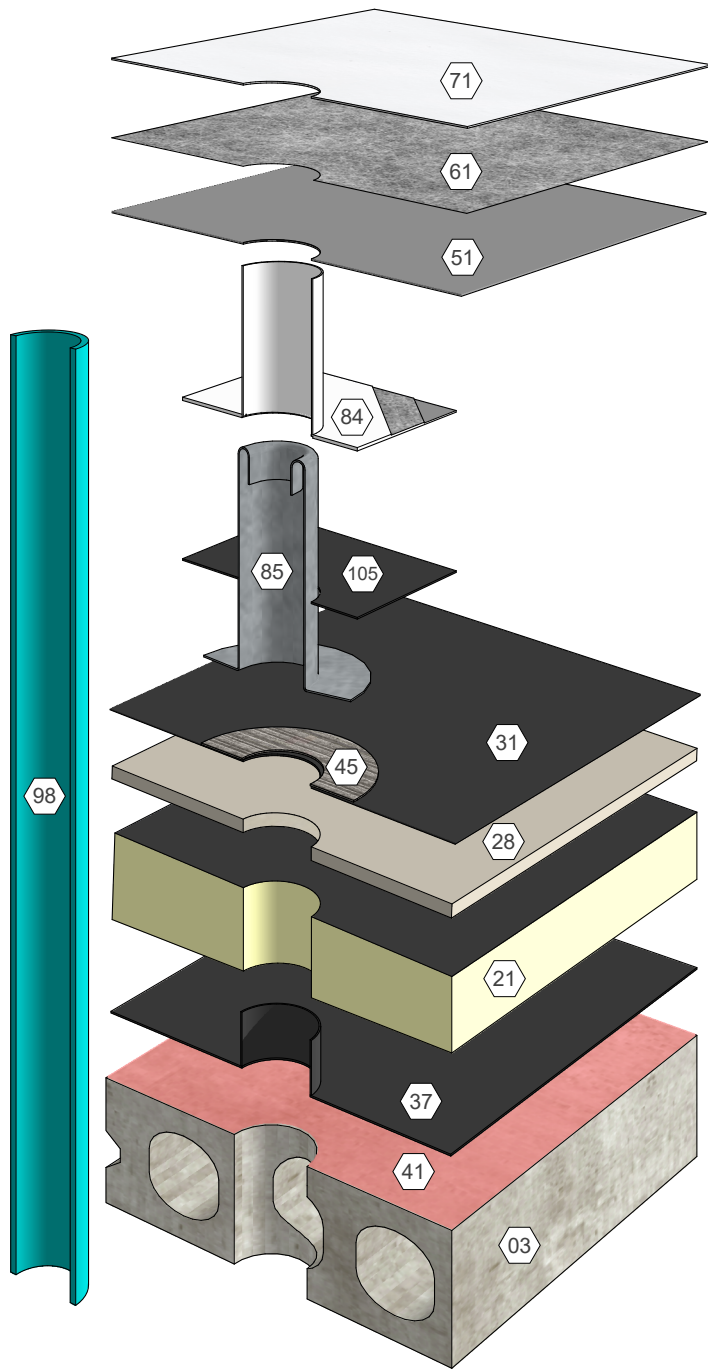
### KEY NOTES

- |  |                                     |                               |
|--|-------------------------------------|-------------------------------|
| 02 Structural Concrete Deck              | 37 Approved Base Sheet (Adhered)    | 71 AlphaGuard MT/MTS Top Coat |
| 21 Polyisocyanurate Insulation (Adhered) | 41 Approved Primer                  | 84 AlphaGuard Flashing        |
| 28 Cover Board (Adhered)                 | 45 Roofing Mastic                   | 85 Lead Sleeve                |
| 31 Approved Base Ply Sheet               | 51 AlphaGuard MT/MTS Base Coat      | 98 Plumbing Vent              |
| 61 AlphaGuard Glass Mat or Permafab      | 61 AlphaGuard Glass Mat or Permafab | 105 Target Patch              |



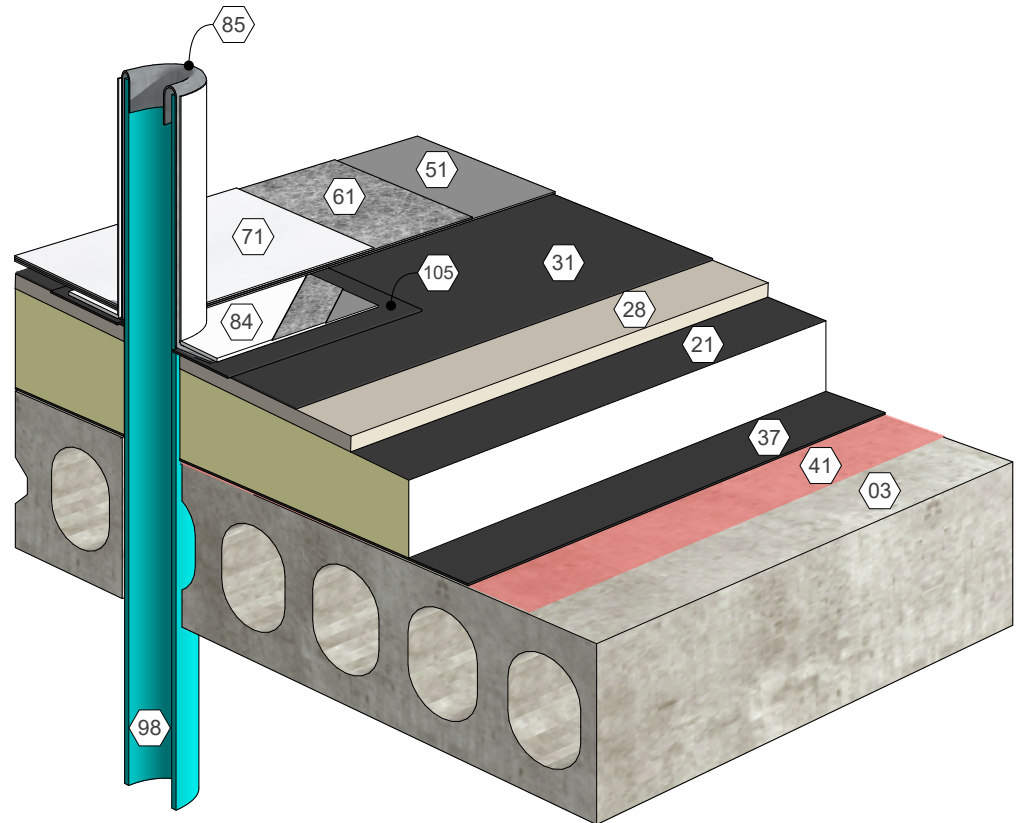
AlphaGuard® MT/MTS Plus Plumbing Vent, Temp. Roof, Structural Concrete Deck  
Detail 32182

**TREMCO**  
ROOFING & BUILDING MAINTENANCE



### KEY NOTES

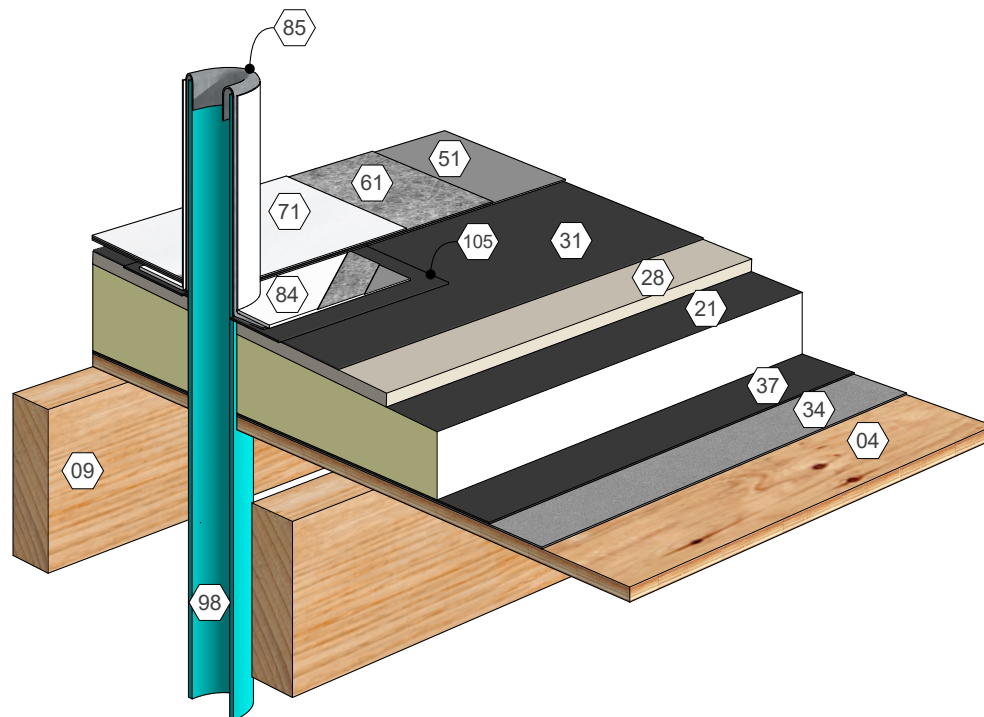
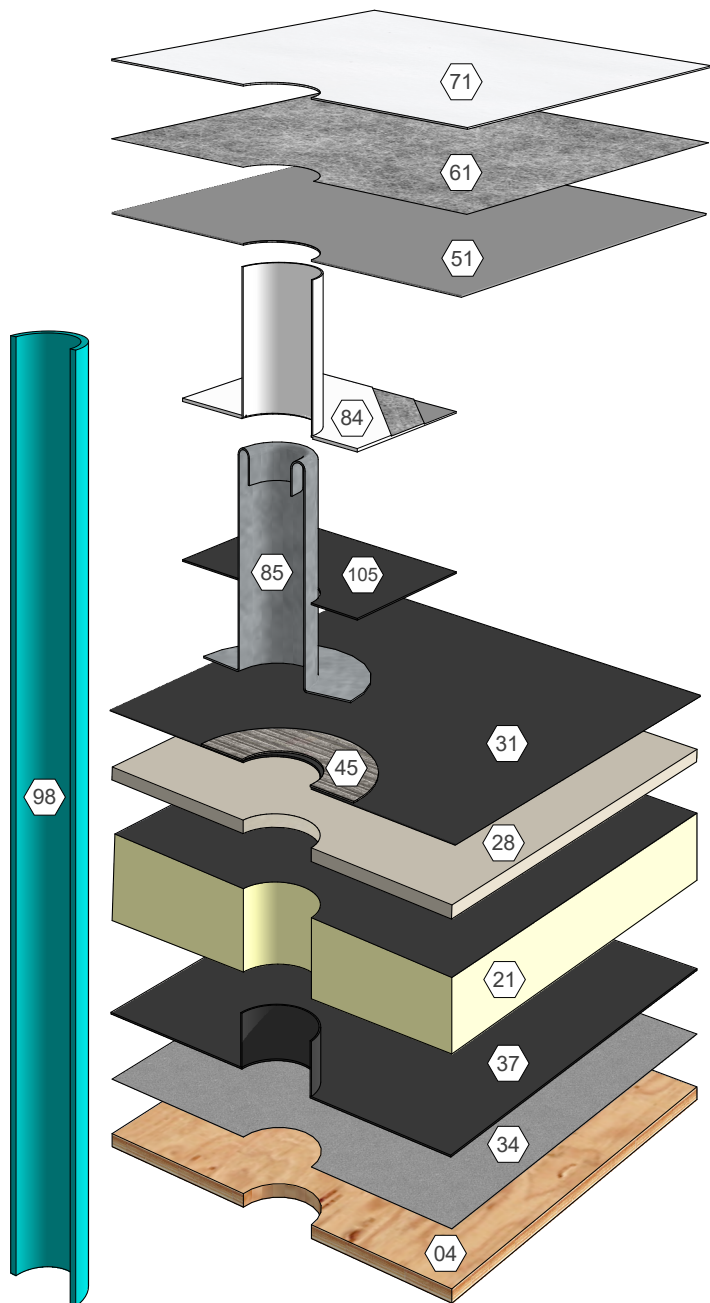
- |   |                                      |                                |
|---|--------------------------------------|--------------------------------|
| 03) Precast Concrete Deck                 | 37) Approved Base Sheet (Adhered)    | 71) AlphaGuard MT/MTS Top Coat |
| 21) Polyisocyanurate Insulation (Adhered) | 41) Approved Primer                  | 84) AlphaGuard Flashing        |
| 28) Cover Board (Adhered)                 | 45) Roofing Mastic                   | 85) Lead Sleeve                |
| 31) Approved Base Ply Sheet               | 51) AlphaGuard MT/MTS Base Coat      | 98) Plumbing Vent              |
|   | 61) AlphaGuard Glass Mat or Permafab | 105) Target Patch              |



AlphaGuard® MT/MTS Plus Plumbing Vent, Temp Roof, Precast Concrete Deck  
Detail 32183

### KEY NOTES

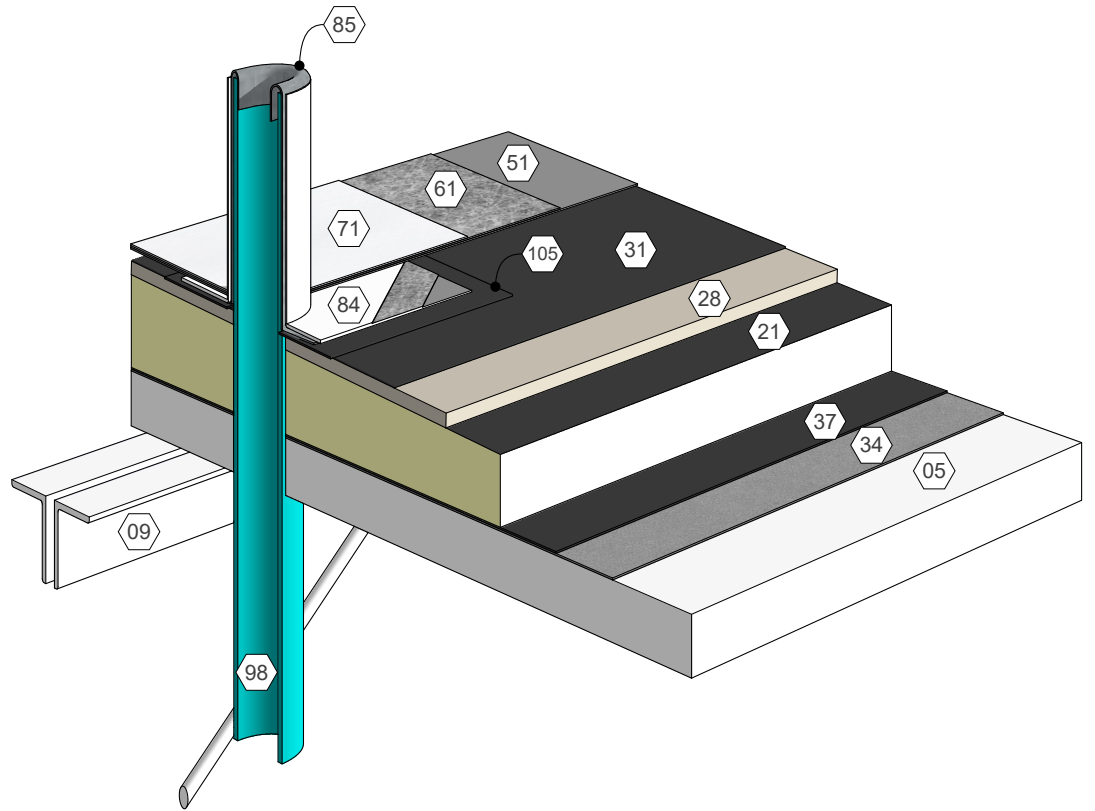
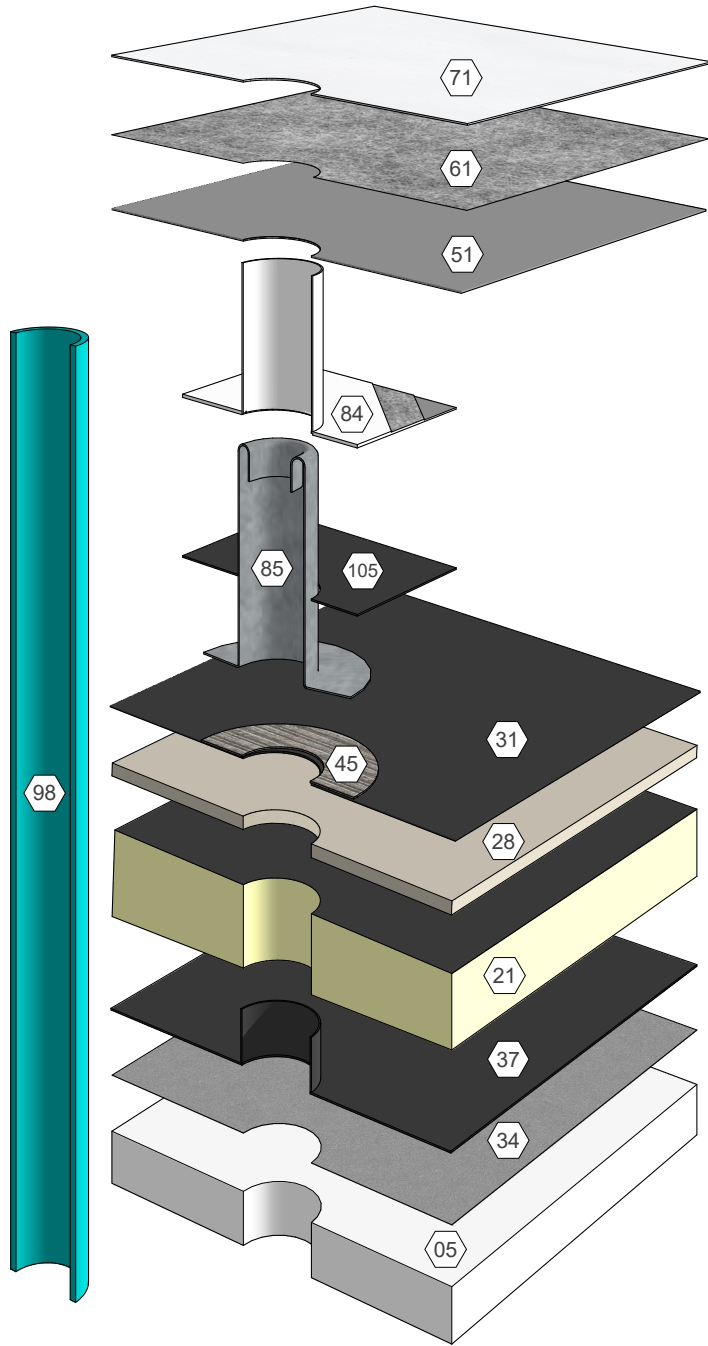
- |   |                                      |                                |
|---|--------------------------------------|--------------------------------|
| 04) Wood Deck                             | 34) Base Sheet (Fastened)            | 71) AlphaGuard MT/MTS Top Coat |
| 21) Polyisocyanurate Insulation (Adhered) | 37) Approved Base Sheet (Adhered)    | 84) AlphaGuard Flashing        |
| 28) Cover Board (Adhered)                 | 45) Roofing Mastic                   | 85) Lead Sleeve                |
| 31) Approved Base Ply Sheet               | 51) AlphaGuard MT/MTS Base Coat      | 98) Plumbing Vent              |
|   | 61) AlphaGuard Glass Mat or Permafab | 105) Target Patch              |



AlphaGuard® MT/MTS Plus Plumbing Vent, Temp. Roof, Wood Deck  
Detail 32184

### KEY NOTES

- |  |                                     |                               |
|--|-------------------------------------|-------------------------------|
| 05 Gypsum Deck                           | 31 Approved Base Ply Sheet          | 71 AlphaGuard MT/MTS Top Coat |
| 09 Roof Structure                        | 34 Base Sheet (Fastened)            | 84 AlphaGuard Flashing        |
| 21 Polyisocyanurate Insulation (Adhered) | 37 Approved Base Sheet (Adhered)    | 85 Lead Sleeve                |
| 27 Substrate Board (Fastened)            | 45 Roofing Mastic                   | 98 Plumbing Vent              |
| 28 Cover Board (Adhered)                 | 51 AlphaGuard MT/MTS Base Coat      | 105 Target Patch              |
|  | 61 AlphaGuard Glass Mat or Permafab |                               |



AlphaGuard® MT/MTS Plus Plumbing Vent, Temp. Roof, Gypsum Deck  
Detail 32185